

ACR13 / ACR13LV

Continuous Running Ventilation Unit

Product Datasheet



- Easy to read, LED display of system pressure and airflow
- Days used data logging capability
- Light switch delay mode
- IPX4 rated - IPX7 rated (SELV)
- Humidity sensor

Order Code

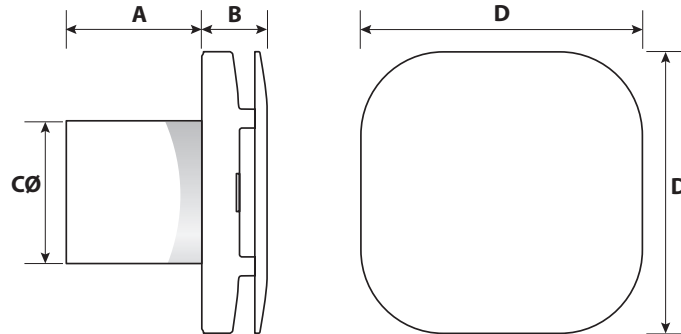
ACR13	Continuous running HTP fan
--------------	----------------------------

ACR13-LV	Low voltage continuous running HTP fan
-----------------	--

Benefits

The ACR13 & ACR13-LV continuous running HTP fan has been designed with building regulations in mind. Offering flow rates compliant with Part F and day logger functionality, you can be assured of the performance. The fan has a sleek tile front, low noise levels of 12dB(A) at trickle and a light switch delay mode option for a discreet installation.

Fan Dimensions (mm)



Casing (mm):

A	B	C	D
90	45	99	190

Hole diameters (mm):

Walls	Ceilings	Windows
107	107	117

Fan Technical Data

Fan motor	Extract capacity	Trickle dB(A) @ 3m
12VDC, 1W on trickle, 1.7W on boost	Trickle	12

Performance Data

Trickle Low	Trickle High	Boost
6l/s	8l/s	13l/s